

[WWW.KIMPLEBOATS.COM.AU](http://WWW.KIMPLEBOATS.COM.AU) or [WWW.KIMPLEBOATS.CO](http://WWW.KIMPLEBOATS.CO)

[SALES@KIMPLEBOATS.COM.AU](mailto:SALES@KIMPLEBOATS.COM.AU)

**KIMPLE**  
BassXpress Aluminium Bass Boat Series



# ABOUT US

KIMPLE IS A REGISTERED BRAND IN NEW ZEALAND. THE COMPANY IS HEADQUARTERED IN TAIWAN AND HAS A PRODUCTION BASE IN JIAXING, ZHEJIANG, CHINA, SPECIALISING IN THE DESIGN AND PRODUCTION OF ALUMINIUM ALLOY BOATS. WITH A WIDE RANGE OF ADVANCED MACHINERY AND EQUIPMENT, HIGHLY EXPERIENCED PRODUCTION TEAM AND EXQUISITE CRAFTSMANSHIP, THE EXCELLENT QUALITY OF THE KIMPLE ALUMINIUM BOAT IS GUARANTEED.

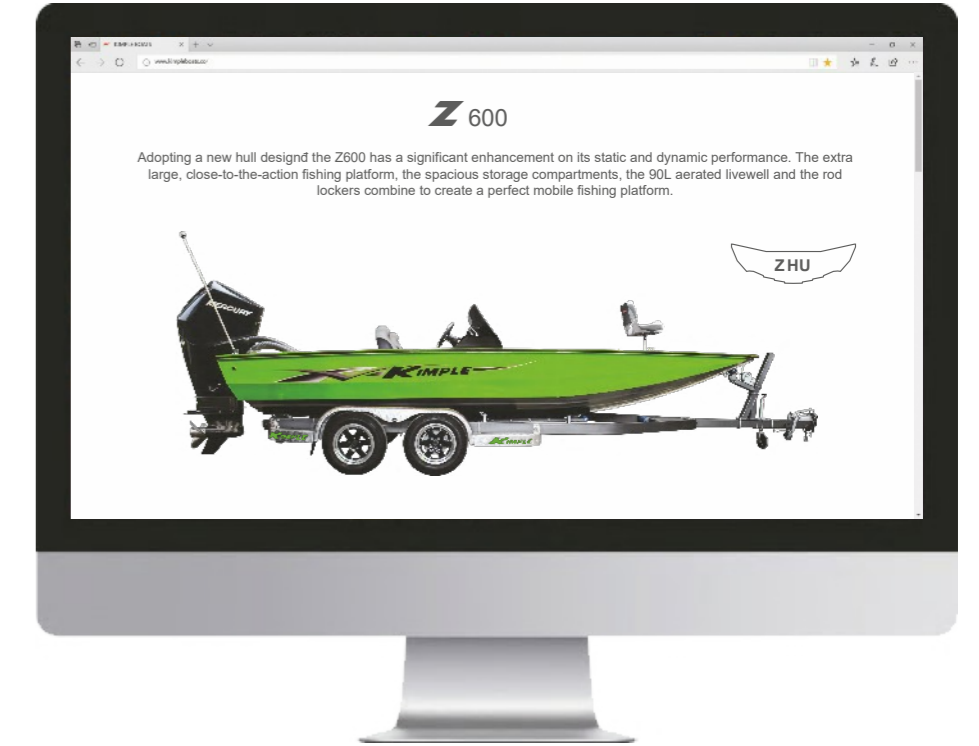
KIMPLE MANUFACTURE MODELS FROM 3 TO 12 METRES ACROSS A WIDE VARIETY OF HULL DESIGNS. TO DATE WE HAVE MANUFACTURED OVER 3,000 BOATS AND EXPORTED TO MORE THAN 40 COUNTRIES AROUND THE WORLD. KIMPLE HAS A WORLD-CLASS DESIGN TEAM WITH DESIGN MEMBERS FROM AUSTRALIA, NEW ZEALAND, SWEDEN AND TAIWAN. BASED ON THE DIFFERENT REQUIREMENTS OF VARYING MARKET NEEDS, WE COMBINE TRADITIONAL CRAFTSMANSHIP AND ADVANCED INNOVATIVE TECHNOLOGY TO PRODUCE WORLD-CLASS RECREATIONAL BOATS. KIMPLE CREATES LEISURE, PRACTICALITY, DURABILITY AND PERFORMANCE FOR USERS OF ALUMINIUM BOATS AROUND THE WORLD.

AS AN INTERNATIONAL ALUMINIUM BOAT BRAND, KIMPLE ALUMINIUM BOATS OPTIMISES THE STATIC AND DYNAMIC PERFORMANCE OF THE HULL ON THE BASIS OF SAFETY, SO THAT PASSENGERS CAN ENJOY A SAFE AND COMFORTABLE RIDING EXPERIENCE ON THE WATER. A KIMPLE ALUMINIUM BOAT IS YOUR BEST CHOICE!



————— *"KIMPLE BOATS STRIVING TO BE THE BEST".*

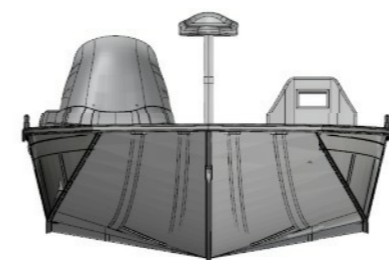
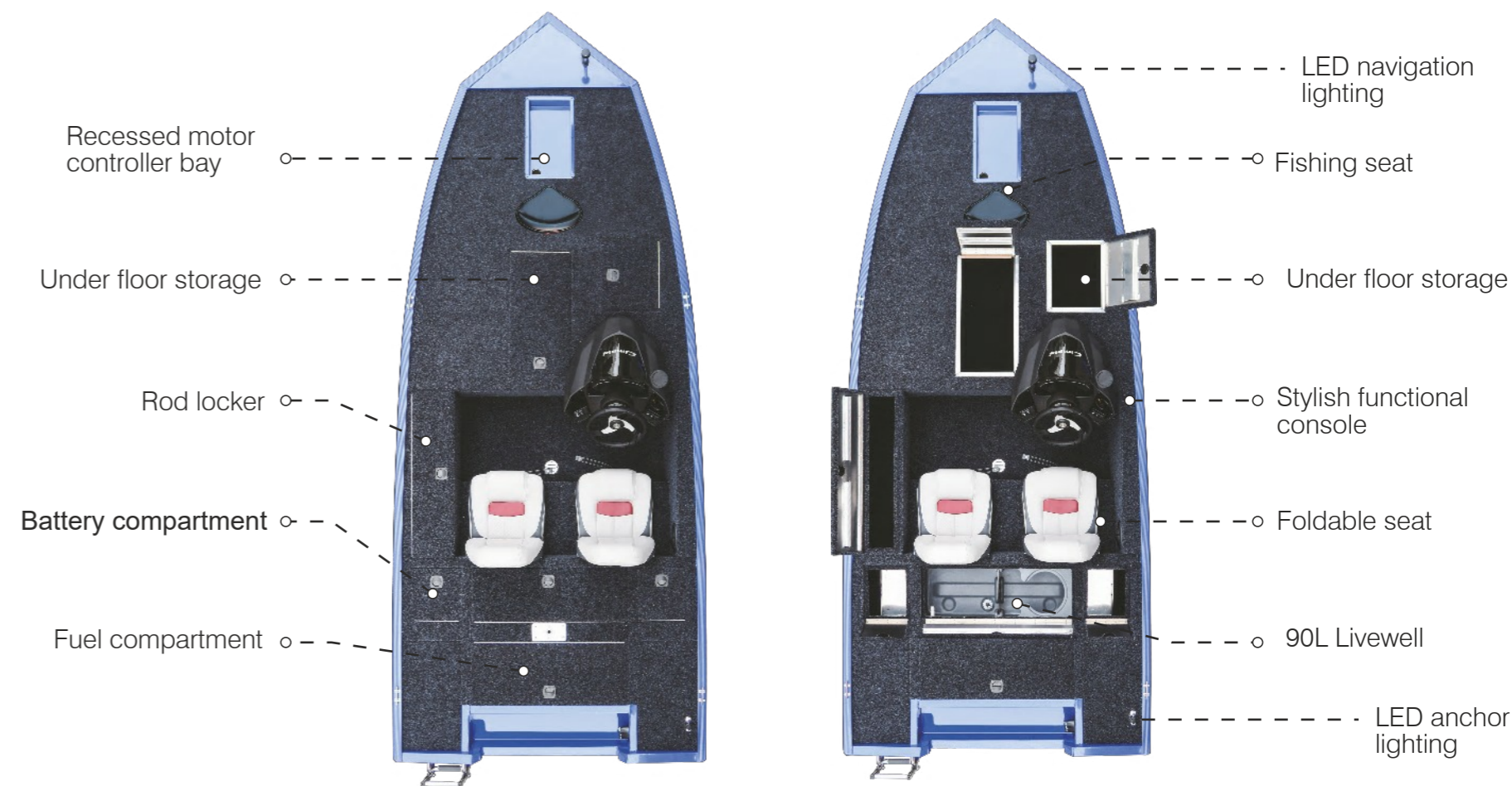
*Laofan*





# K 438

If you are interested in a small but versatile fishing boat, the K438 is the one that deserves your attention. In its 4.35 meter long 1.8-meter wide hull, the K438 equips a 90L live-well, rod storage for fishing rods up to 7' and two under-floor storage compartments. A great compact hull for fishing tight environments such a small lakes and rivers.



4.35 m

1.80 m

MAX 365

MAX 40 HP

3



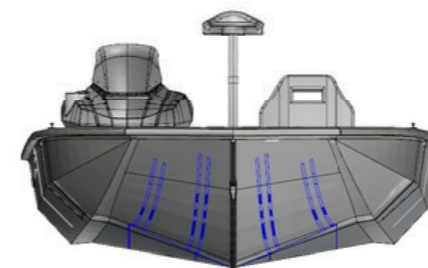
KG





# S 468

The S468 is a versatile aluminium fishing boat. It is built for endurance and all the fishing essentials included. The quality of construction features all-welded construction, strong stringer structure, hook-less marine carpet over aluminium flooring along with lots of convenient storage and rod locker; same as used on it's bigger brothers.



4.68 m

2.00 m

MAX 370

MAX 60 HP

2







# S 498

The S498 includes a variety of angler-friendly features to make the day on the water a pleasurable one. It's a great first fishing boat for serious fishos chasing bass, bream, murray cod and whatever else you fish for. It is built for endurance and all the fishing essentials included. The quality of construction features all-welded construction, strong stringer structure, hook-less marine carpet over aluminium flooring along with lots of convenient storage and rod locker; same as on it's bigger brothers.

Recessed motor controller bay

Plenty of under floor storage

Foldable seats

90L Livewell

LED navigation lighting

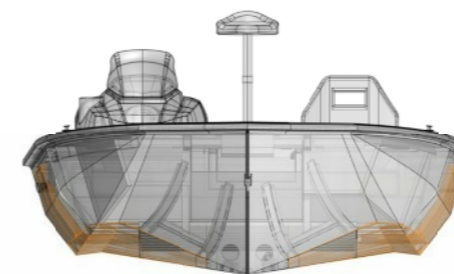
Fishing seat

Rod locker

Stylish functional console

Under seat storage

LED anchor lighting



4.98 m

2.10 m

MAX 388

MAX 75 HP

3

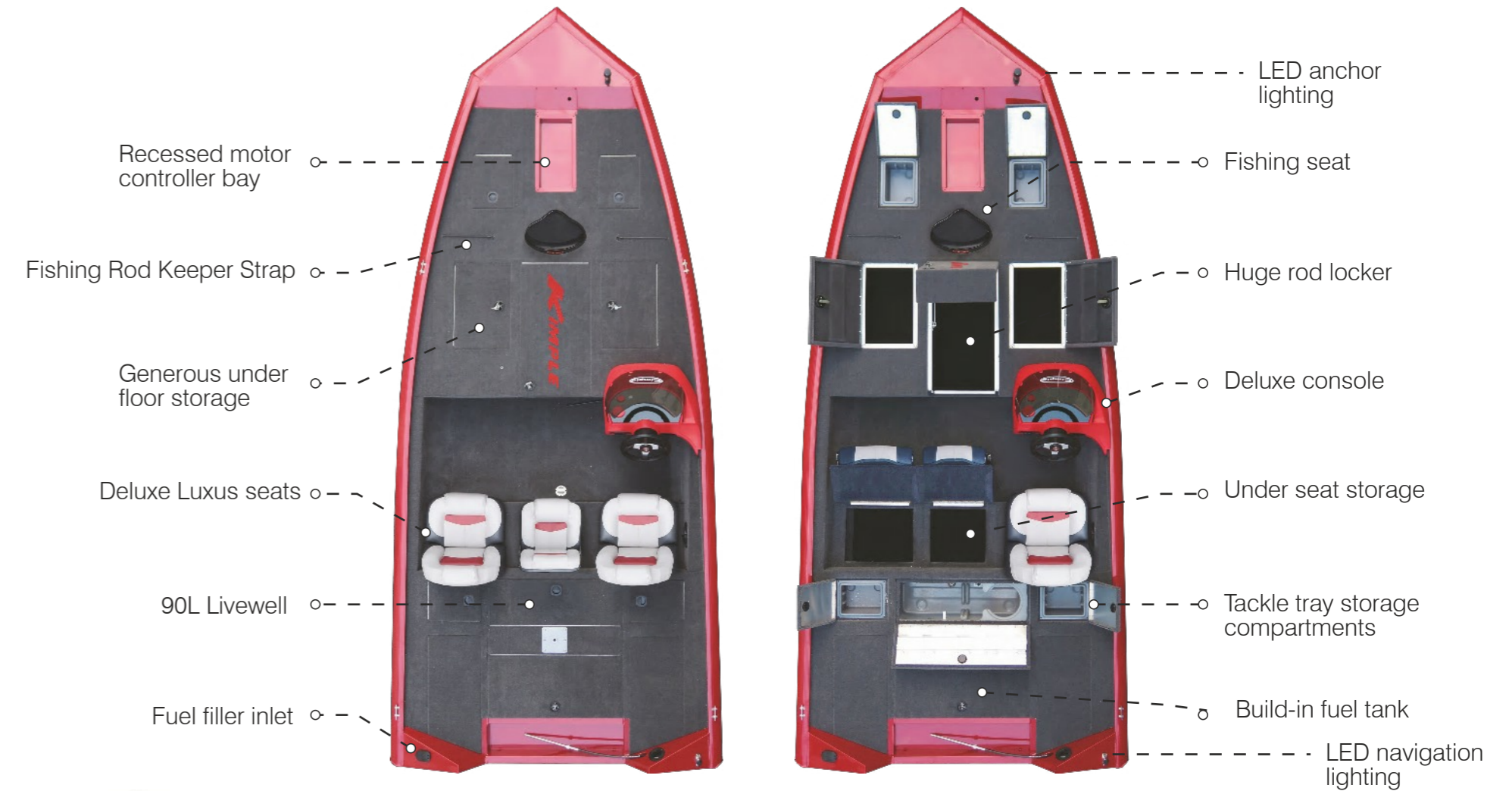






# S 518

The S518 is for serious fishers who prefer a mid-sized stable fishing boat. With a beam of 2.25 metres, the S518 offers a very stable fishing platform and has all the essential features and quality of construction employed throughout the range. Standard inclusions feature: a live-well, rod lockers, spacious under-floor storage and deluxe seats.



5.18 m



2.25 m



MAX 520



75 L



MAX 90 HP



4

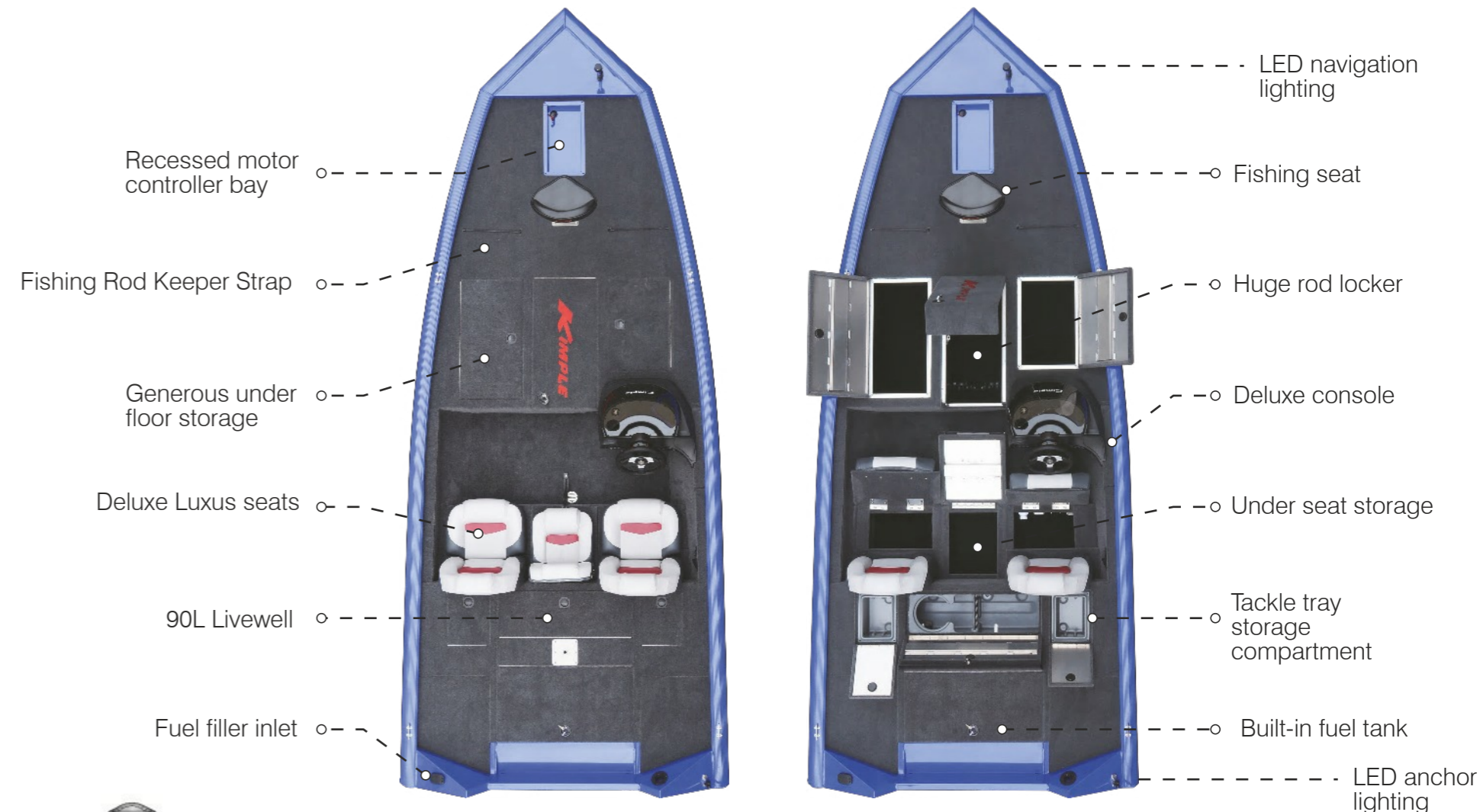






# S 548

The new beamier design of the Kimple S548 provides enhanced stability at rest and dynamic performance underway. The mobility of the S548 allows this fishing boat to be the perfect fishing platform with its features of a large, close-to-the- action fishing platform, 90L aerated live-well, rod lockers and a spacious storage compartment.



<b>5.48 m</b>	<b>2.26 m</b>	<b>MAX 540</b>	<b>75 L</b>	<b>MAX 115 HP</b>	<b>4</b>





Z HULL



Z640



Z600



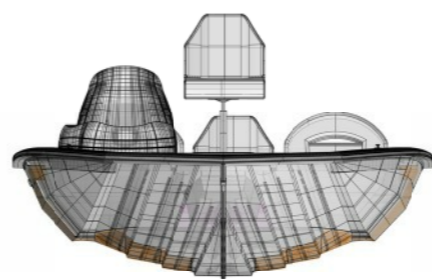
Z560





**BASS FISHING AT THE NEXT LEVEL**

The Z560 provide enhanced performance and strength. Adopting the newly developed Z hull design with a stiffer stringer system, the Z560 is the ultimate fishing machine for serious fishers. A generous rod locker and heaps of storage compartments ensure there is somewhere to store everything you need.



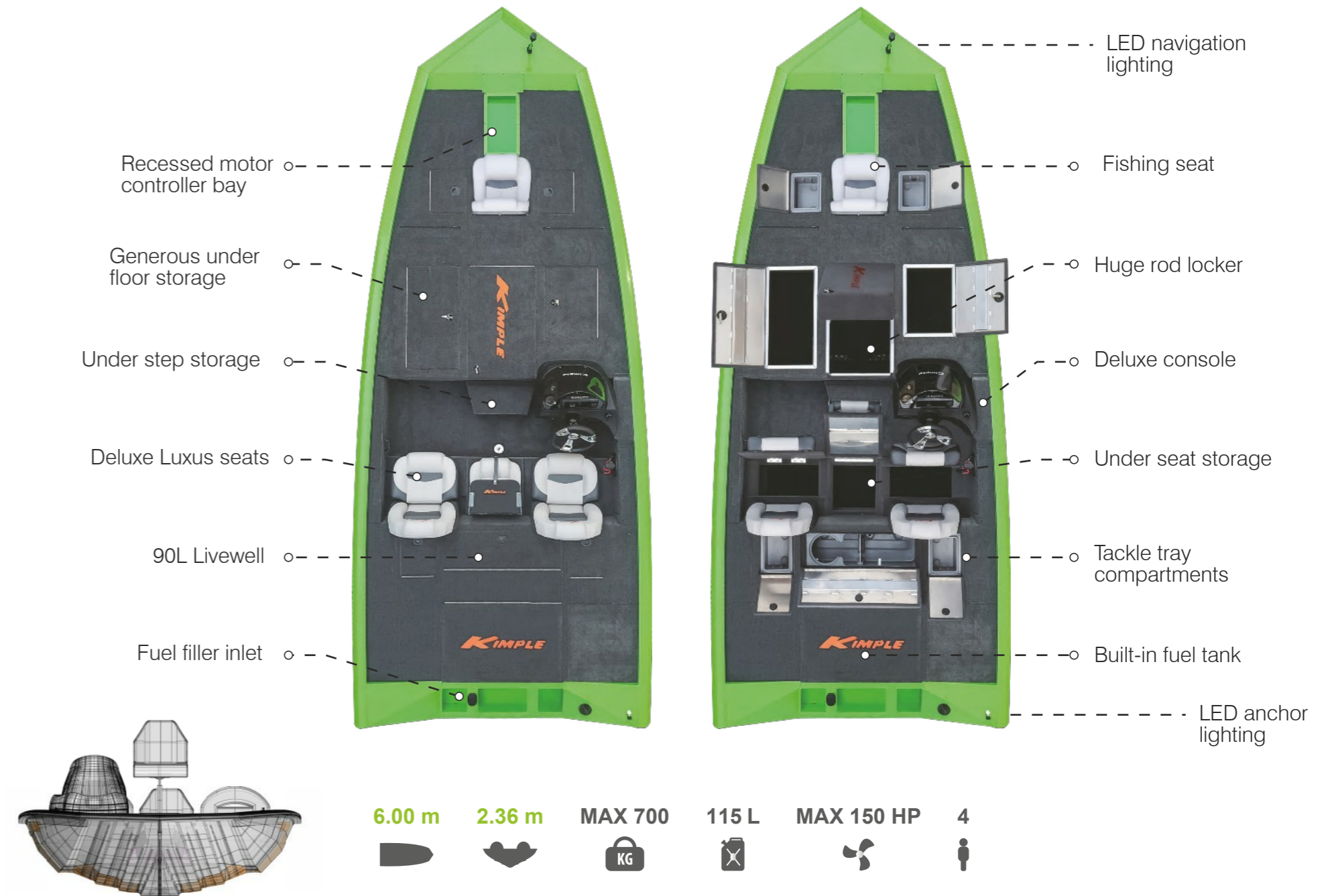
<b>5.60 m</b>	<b>2.36 m</b>	<b>MAX 600</b>	<b>90 L</b>	<b>MAX 140 HP</b>	<b>4</b>





## GIVING YOU THE WINNING EDGE

Utilising the new Z hull design, the Z600 offers significant enhancement whilst at rest as well as when underway, even at high speed. The extra large, close-to-the-action fishing platform, the spacious storage compartments, the 90L aerated live-well and the rod lockers combine to create a perfect mobile fishing platform. You'll be the envy of all other anglers.







### THE ULTIMATE TOURNAMENT BASS BOATS

The Z640 features the latest Z hull design that provides enhanced stability at rest as well as outstanding performance whilst underway, even at high speed. Ample storage space to accommodate more fishing rods and other items to meet the needs of tournament anglers. The Z640 will put you ahead of the your competitors.





## INCLUSIONS

Specifications	K435	S468	S498	S518	S548	Z560	Z600
Length	4.35M	4.68M	4.98M	5.18M	5.48M	5.60M	6.00M
Beam	1.80M	2.00M	2.10M	2.25M	2.25M	2.36M	2.36M
Transom Height	51cm	51cm	51cm	51cm	58cm	58cm	58cm
Weight(Boat Only)	344kg	346kg	390kg	478kg	479kg	650kg	698kg
Bottom Plate	2.0mm	2.5mm	2.5mm	2.5mm	2.5mm	3.0mm	3.0mm
Side Plate	2.0mm	2.5mm	2.5mm	2.5mm	2.5mm	3.0mm	3.0mm
Transom Plate	2.0mm	4.0mm	4.0mm	4.0mm	4.0mm	4.0mm	4.0mm
Max hp	40hp	60hp	75hp	90hp	115hp	140hp	150hp
Built-in Fuel Tank	-	-	-	75 L	75 L	90 L	115 L
Max Person	3	2	3	4	4	4	4
<b>Safety</b>							
Bow Eyelet	Yes	Yes	Yes	Yes	Yes	Yes	Yes
Cleats	-	4	4	4	4	4	4
Tie-down Eyelet	2	2	2	2	2	2	2
Drain Plug	1	1	1	1	1	1	1
<b>Console</b>							
Rotomolded console	YH Console with tinted windshield	SJ Console with tinted windshield	SJ Console with tinted windshield	YH Console with tinted windshield	YH Console with tinted windshield	YH Console with tinted windshield	YH Console with tinted windshield
Sports Steering Wheel	Yes	Yes	Yes	Yes	Yes	Yes	Yes
Steering System	Mechanical	Mechanical	Mechanical	Mechanical	Mechanical	Hydraulic	Hydraulic
<b>Construction &amp; Exterior</b>							
All welded 2-piece hull with pressed strakes & chines	MV hull	Pro-V hull	Pro-V hull	Pro-V hull	Pro-V hull	Z hull	Z hull
Welded-in full length stinger system	Yes	Yes	Yes	Yes	Yes	Yes	Yes
Transducer Bracket	Yes	Yes	Yes	Yes	Yes	Yes	Yes
Ladder	Optional	Optional	Optional	Optional	Optional	Optional	Optional
Painting (metallic finish optional)	Standard	Standard	Standard	Standard	Standard	Standard	Standard
<b>Electricals</b>							
Bilge Pump (GPH)	750	750	750	750	1100	1100	1100
12V Power Outlet for bow fish-finder	x	Yes	Yes	Yes	Yes	Yes	Yes 12V
Power Outlet for bow-mount motor	x	Yes	Yes	Yes	Yes	Yes	Yes Light -
Anchor (360° White)	Optional	Stowable	Stowable	Stowable	Stowable	Stowable	Stowable
Light - Navigation (Red & Green)	Optional	Stowable	Stowable	Stowable	Stowable	Stowable	Stowable
Main switch & circuit breaker	Yes	Yes	Yes	Yes	Yes	Yes	Yes Wiring
system wrapped in abrasion-resistant protective conduit	Yes	Yes	Yes	Yes	Yes	Yes	Yes
<b>Interior</b>							
Trolling motor foot control tray	Yes	Yes	Yes	Yes	Yes	Yes	Yes
Floor	Carpeted aluminium plate	Carpeted aluminium floor	Carpeted aluminium floor	Hook-free carpet concealed aluminium floor	Hook-free carpet concealed aluminium floor	Hook-free carpet concealed aluminium floor	Hook-less carpet concealed aluminium floor
Rod Storage - Type	Optional Locker	Organiser	Under deck storage	Under deck storage with lock and organiser	Under deck storage with lock and organiser	Under deck storage with lock and organiser	Under deck storage with lock and organiser
Rod Storage - Capacity	max 7"	max. 7'6"	max. 7'6"	12 x rods max. 8"	12 x rods max. 8'6"	12 x rods max. 8'6"	12 x rods max. 8'6"
Seats - fishing seats	1 x position	2 x position 1 x stool	2 x position 1 x stool	2 x position 1 x stool	2 x position 1 x stool	2 x position 1 x stool	2 x position 1 x stool
Seats - Driver and passengers	2 x FishPro folding seats	2 x FishPro folding seats	2 x FishPro folding seats	3 x BasPro folding seats	3 x BassPro folding seats	3 x BassPro folding seats	3 x BassPro folding seats
Storage - beneath front casting platform	1 x Rod locker 2 x storage	1 x Large storage	1 x Rod Storage 2 x Large storage	1 x Rod storage 2 x Large storage 2 x Tackle tray	1 x Rod storage 2 x Large storage 2 x Tackle tray	1 x Rod storage 2 x Large storage with lock 2 x Tackle tray	1 x Storage beneath seats 1 x Centre step box
Storage - beneath aft casting platform		1 x Storage beneath seats	1 x Storage beneath seats	1 x Storage beneath seats	1 x Storage beneath seats	1 x Storage beneath seats 1 x Center step box	1 x Rod Locker, 2 x large storage with lock, 2 x tackle
Storage - Cockpit	1 x battery, 2 x storage	1 x Battery/Fuel Tank storage	1 x Battery/Fuel Tank storage	1 x Battery/Fuel Tank storage with lock 2 x Tackle	1 x Battery/Fuel Tank storage with lock 2 x Tackle	1 x Battery/Fuel Tank storage with lock 2 x Tackle	1 x Battery/Fuel Tank storage with lock 2 x Tackle
<b>Live-well System</b>							
Molded 1-piece live-well tank with round corners for easy cleaning and to protect your bait or catch	90L	90L	90L	90L	90L	90L	90L
Pump - fill (GPH)	350	350	350	500	500	500	500
Pump - aerator (GPH)	350	350	350	500	500	500	500

# SPECIFICATIONS

## PURE FISHING

### ALL WELDED ALUMINUM BASS BOATS



SPECIFICATIONS	K 438	S 468	S 498	S 518	S 548	Z 560	Z 600	Z 640
Length	4.35M	4.68M	4.98M	5.18M	5.48M	5.60M	6.00M	6.40M
Beam	1.80M	2.00M	2.10M	2.25M	2.26M	2.36M	2.36M	2.36M
Transom Height	51cm	51cm	51cm	51cm	58cm	58cm	58cm	58cm
Weight (Boat Only)	344kg	346kg	390kg	478kg	479kg	650kg	698kg	730kg
Bottom Plate Side	2.0mm	2.5mm	2.5mm	2.5mm	2.5mm	3.0mm	3.0mm	3.0mm
Plate Transom	2.0mm	2.5mm	2.5mm	2.5mm	2.5mm	3.0mm	3.0mm	3.0mm
Plate Max HP	2.0mm	4.0mm	4.0mm	4.0mm	4.0mm	4.0mm	4.0mm	4.0mm
Built-in Fuel Tank	40 hp	60 hp	75 hp -	90 hp	115 hp	140 hp	150 hp	200 hp
Max Person	3	2	3	4	4	4	4	4



# KIMPLE COLOUR OPTIONS

## COLOUR SELECTION



GREEN



BLUE



ORANGE



RED



OLIVE GREEN



MIDNIGHT BLACK



SILVER GRAY



ARCTIC WHITE

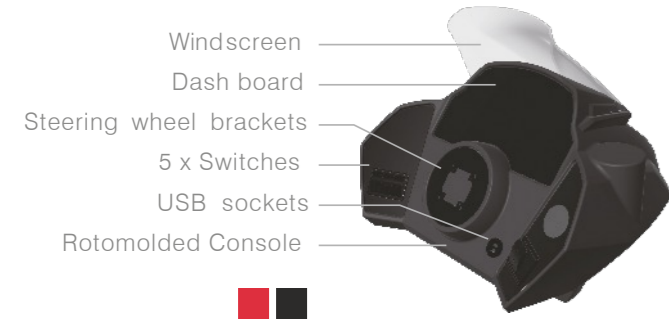
Metallic paint finish available for all colours at additional cost

Metallic paint finish available for all colours at additional cost

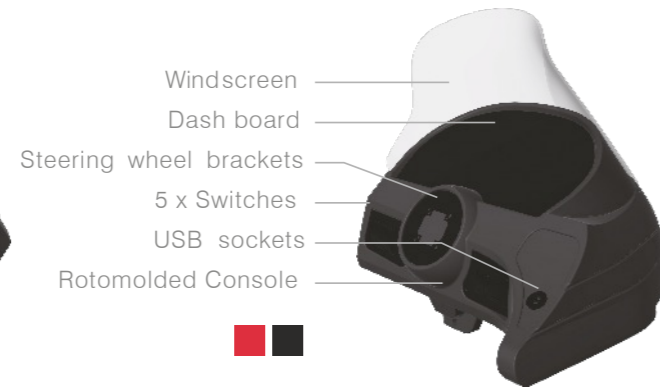


# ROTOMOLDED CONSOLE

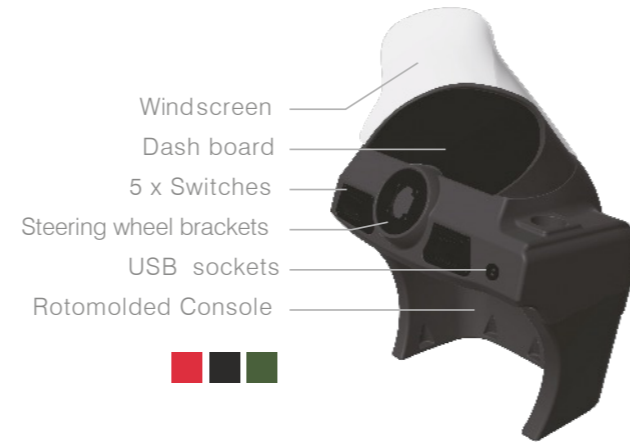
SJ Console



YH Console

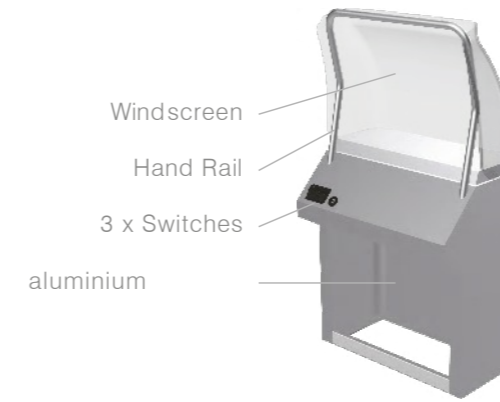


YHLS Console

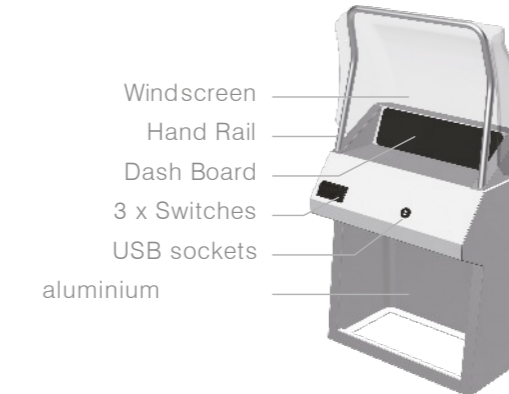


# ALUMINIUM CONSOLE

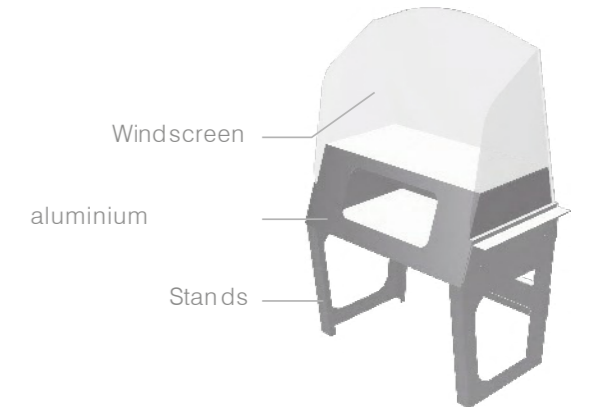
BST aluminium Console I



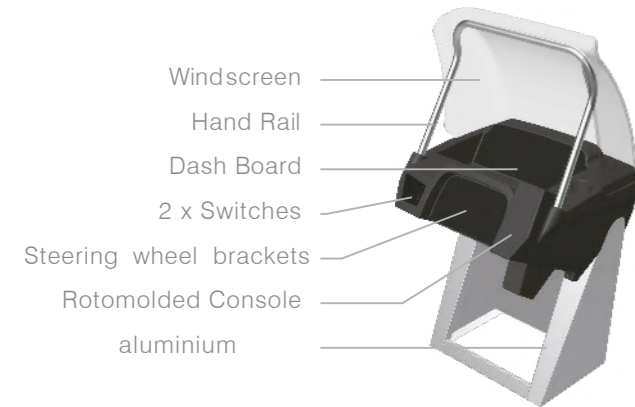
BST aluminium Console II



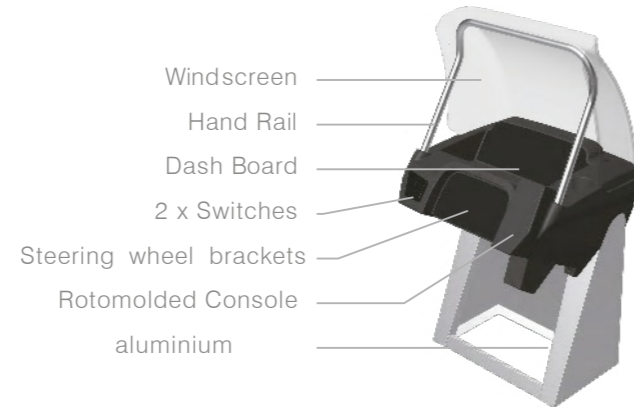
F4 Console



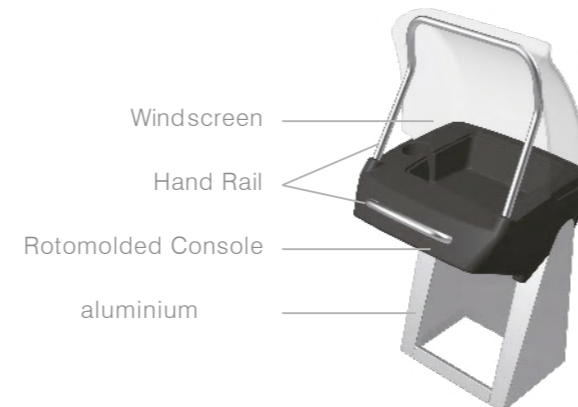
BST Side Console for Skipper



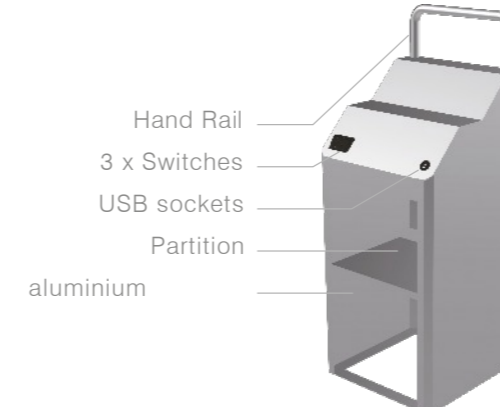
BST Center Console



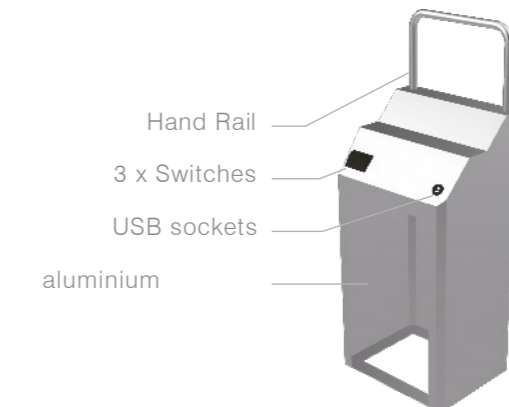
BST Side Console for Passenger



T7 Console

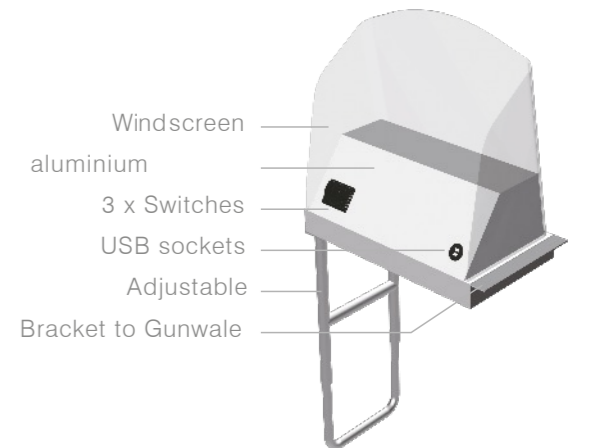


T4 Console



C4 Console

Height Adjustable





## SEATS



BassPro seat ■ ■



FishPro folding seat (S) ■ ■



FishPro folding seat (L)



Fishing seat

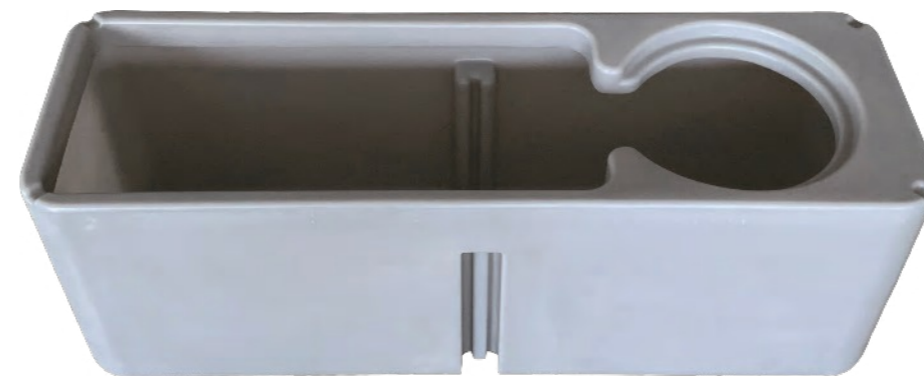
## ACCESSORIES



Shark fin Hand Rail



Rowlocks & Socket



Rotomolded 90L Live-well



Rotomolded storage seat



Accessories apply to other boat models in the Kimple range



## COOLER



65L

L : 80cm  
W : 45cm  
H : 43cm



110L

L : 90cm  
W : 50cm  
H : 52cm



145L

L : 105cm  
W : 52cm  
H : 54cm

20L and 45L also available

## KIMPLE BOAT COVER



K 435 S 468 S 498 S 518 S 548 Z 560 Z 600 Z 640

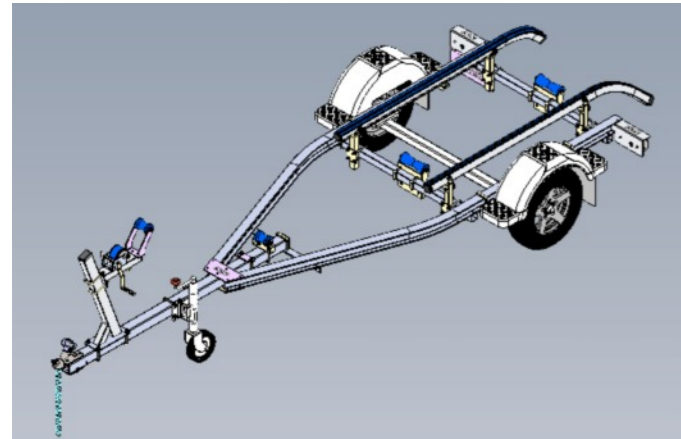




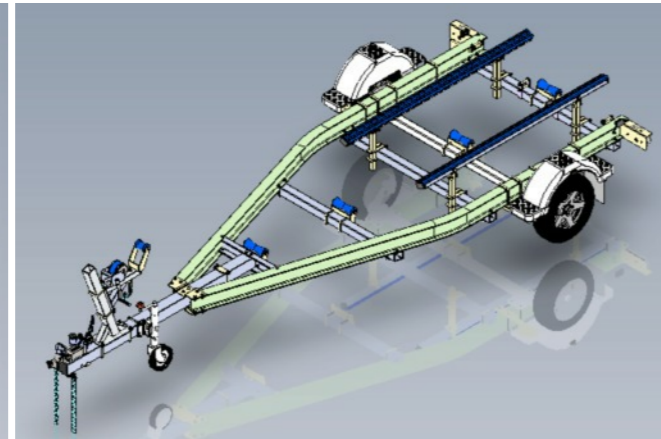
# ALLOY TRAILERS

Every Kimple BassXpress bass boat comes on only the best quality aluminium alloy trailers, made to meet exacting Australian standards and requirements of demanding boaties. They are designed and manufactured by Australians for Australia by Spitfire Trailers using only the highest quality components such as torsion bar suspension for superior ride and handling. Silver anodised chassis fitted with SUS 316 stainless steel fittings throughout, teflon clad alloy bunks, high-quality centre rollers and easi-loaders fitted to make driving your boat on so much easier.

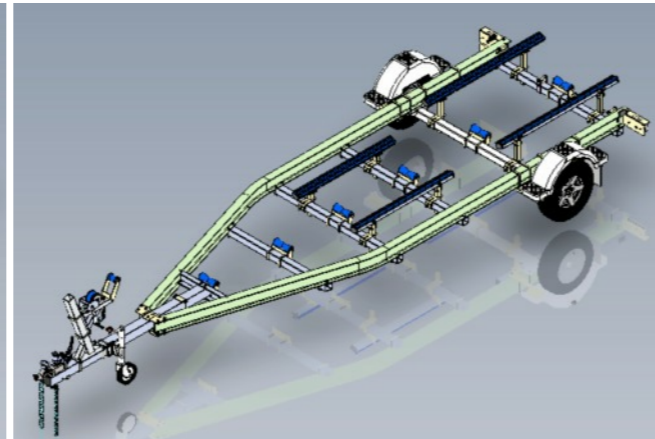
175R13C alloy rims fitted with quality radial tyres are standard, ABS mudguards with anti-slip steps (alu checker-plate guards are optional), waterproof LED lights, 7-pin flat plug, heavy duty 8" jockey wheel, ADR compliant coupling and safety chains, and 316 stainless steel winch for every model. And of course hydraulic brakes fitted to models requiring braking. No cheap short cuts, just quality components. We don't compromise!



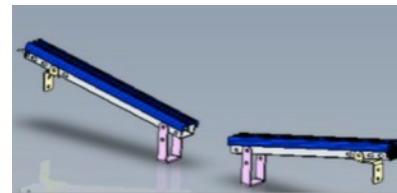
For K435 and S468



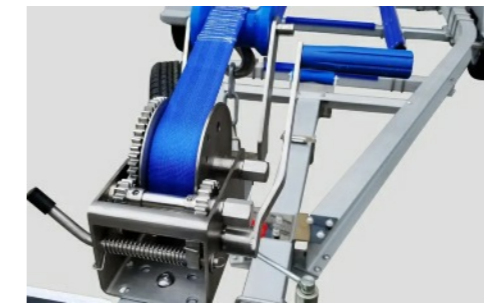
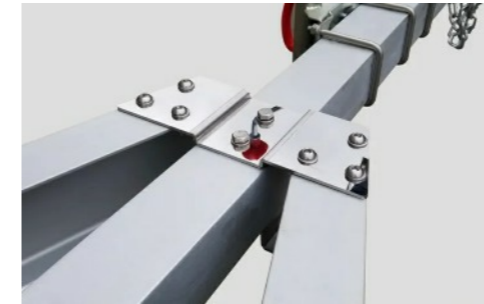
For S498 and S4518



For Z560/Z600/Z640 (dual axle model not shown)



EasiLoader standard to all model trailers



# ELECTRIC MOTORS

Every Kimple BassXpress boat comes complete with an Infiniti 'QuickConnect' wiring harness that connects the Haswing electric bow-mount trolling motor to the battery system. Ensures a positive waterproof connection at all times.

And every model comes complete with a Haswing Cayman Pro - 55lbs 12V thrust for model K435, S468 & S498 and 80lbs thrust 24V for models K518, Z560, Z600 & Z640.

Cayman B GPS with spot lock model available as an upgrade.



QuickConnect

